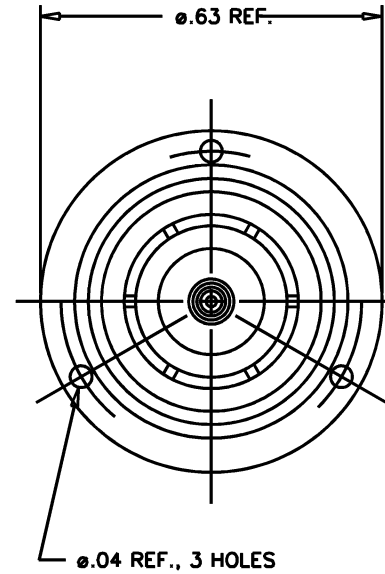
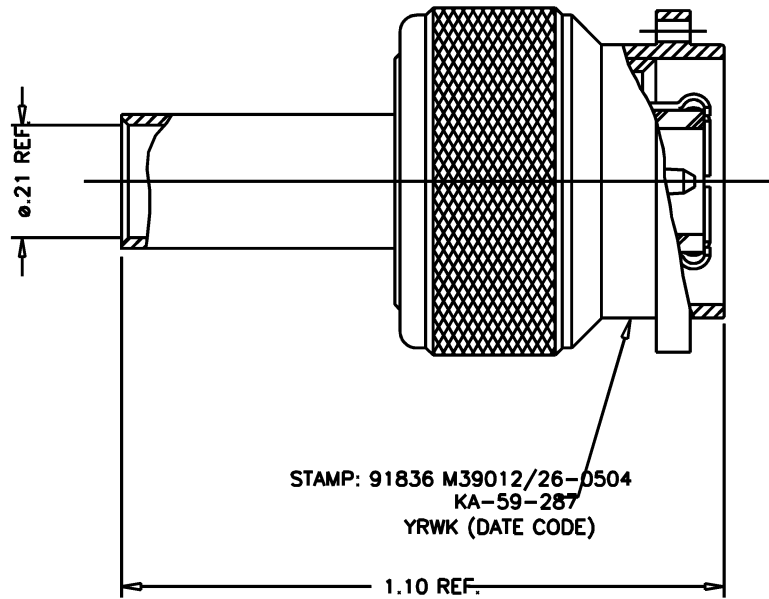


DASH NO.	M CODE	MADE FROM
----------	--------	-----------

GSD



- NOTES:
1. FOR USE WITH RG-58, 58A, 58C, 141, & 141A/U CABLES.
 2. FOR CRIMPING USE CRIMP DIE KTH-2001.
 3. FOR CABLING INSTRUCTIONS SEE CP-465.
 4. CENTER CONTACT TO HAVE ONE YELLOW AND ONE RED BAND
 5. MATERIALS:
OUTER CONTACT: BER. COP., ASTM-B-194
INSULATOR: TEFLON, ASTM-D-4894
GASKET: SILICONE RUBBER, ZZ-R-765
C-RING: PHOS. BRONZE, ASTM-B-

M39012/26-0504 (SHEET 1 OF 2)

REVISIONS	
ISSUE	CHANGES
0	ER RESTRICTED USAGE LI 09/27/73
1	ER 12772 RESTRICTED USAGE LI 07/18/74
2	CN 15977 A GA 04/15/76
3	CN 21656 C HELEN 02/23/81
4	CN 25533 D CT 12/15/83
5	CN 27833 A SD 03/03/86
6	CN 32301 A LNM 06/19/90
7	CN 38728 E BDH 01/06/03
8	CN 39813 C PMC 2/27/07
SCALE 4:1	
APPROX SURFACE AREA	
KA-59-287	
USED ON	
REF:	
PLUG, TNC	
DRAWN JL	08/24/73
DESIGN LI	08/26/74
APPR.	DATE
 ROCK HILL, SOUTH CAROLINA 29730	
M39012/26-0504 (SHEET 1 OF 2)	

GSD